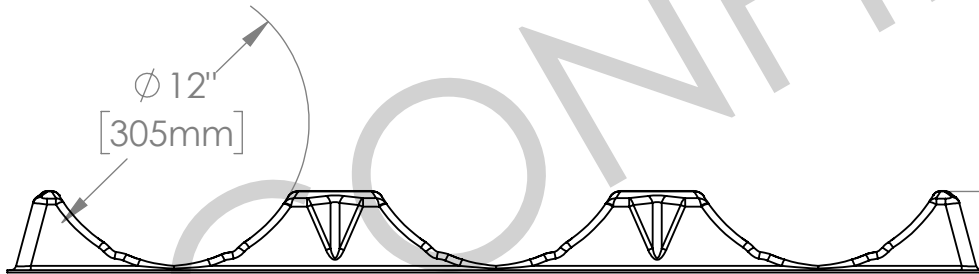
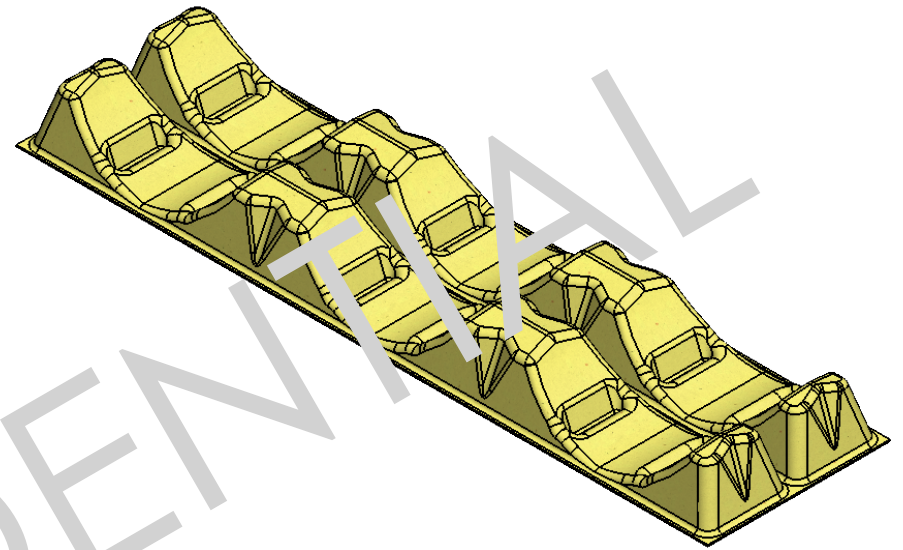


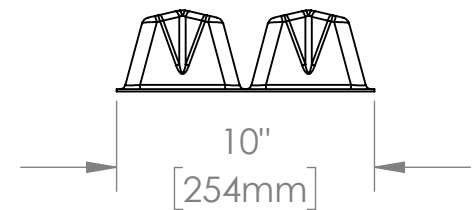
40"  
[1016mm]



Ø 12"  
[305mm]

3 1/2"  
[86mm]

13 1/2"  
[341mm]



10"  
[254mm]

PROPRIETARY AND CONFIDENTIAL

THE INFORMATION CONTAINED IN THIS DRAWING IS THE SOLE PROPERTY OF Henry Molded Products, Inc. ANY REPRODUCTION IN PART OR AS A WHOLE WITHOUT THE WRITTEN PERMISSION OF Henry Molded Products, Inc. IS PROHIBITED.

**Henry**   
MOLDED PRODUCTS INC

DESCRIPTION:

12" Stacker

MODEL:

6012E