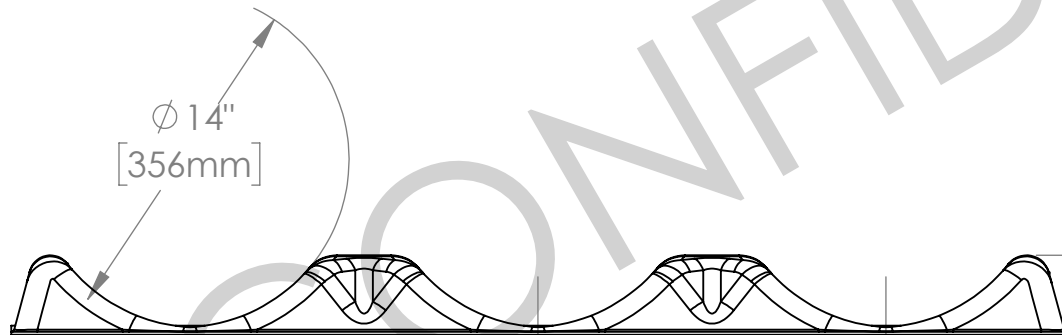
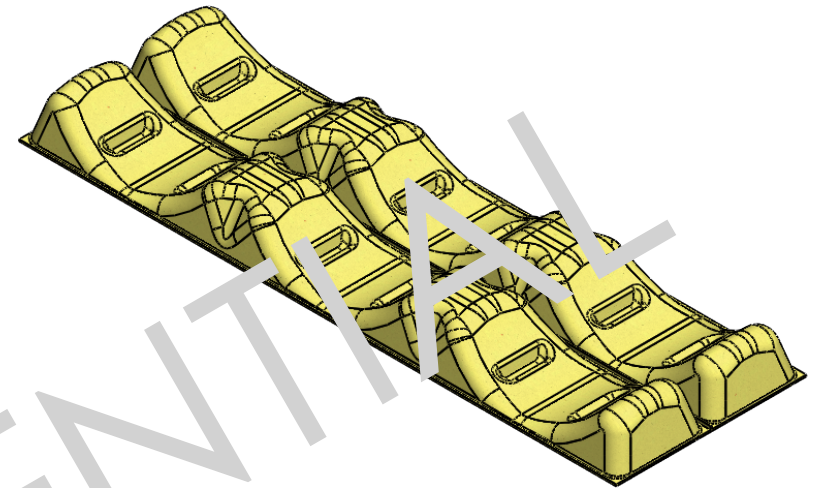


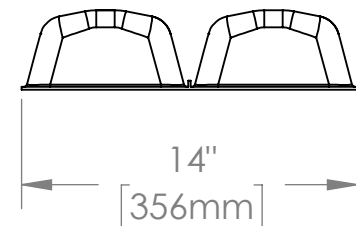
44"
[1118mm]



$\phi 14"$
[356mm]

$3\frac{1}{4}"$
[84mm]

$14\frac{1}{2}"$
[368mm]



14"
[356mm]

PROPRIETARY AND CONFIDENTIAL

THE INFORMATION CONTAINED IN THIS DRAWING IS THE SOLE PROPERTY OF Henry Molded Products, Inc. ANY REPRODUCTION IN PART OR AS A WHOLE WITHOUT THE WRITTEN PERMISSION OF Henry Molded Products, Inc. IS PROHIBITED.

Henry 
MOLDED PRODUCTS INC

DESCRIPTION:

14" Stacker

MODEL:

6014