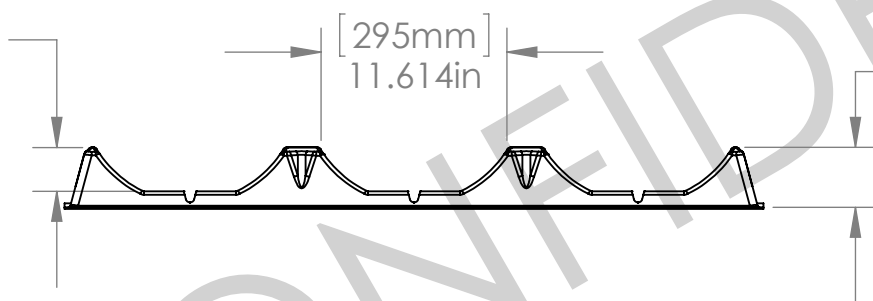


[1110mm]
43.69in

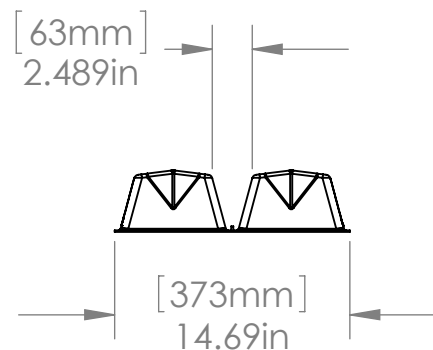
[69mm]
2.732in



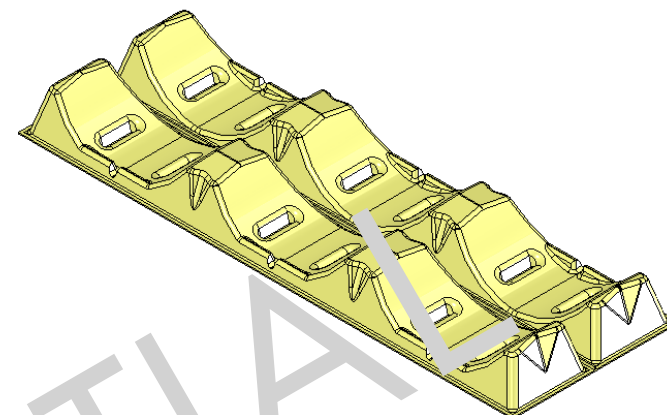
[295mm]
11.614in

[95mm]
3.74in

[63mm]
2.489in



[373mm]
14.69in



PROPRIETARY AND CONFIDENTIAL

THE INFORMATION CONTAINED IN THIS DRAWING IS THE SOLE PROPERTY OF Henry Molded Products, Inc. ANY REPRODUCTION IN PART OR AS A WHOLE WITHOUT THE WRITTEN PERMISSION OF Henry Molded Products, Inc. IS PROHIBITED.

Henry 
MOLDED PRODUCTS INC

DESCRIPTION:

14" Stacker

MODEL:

6014L