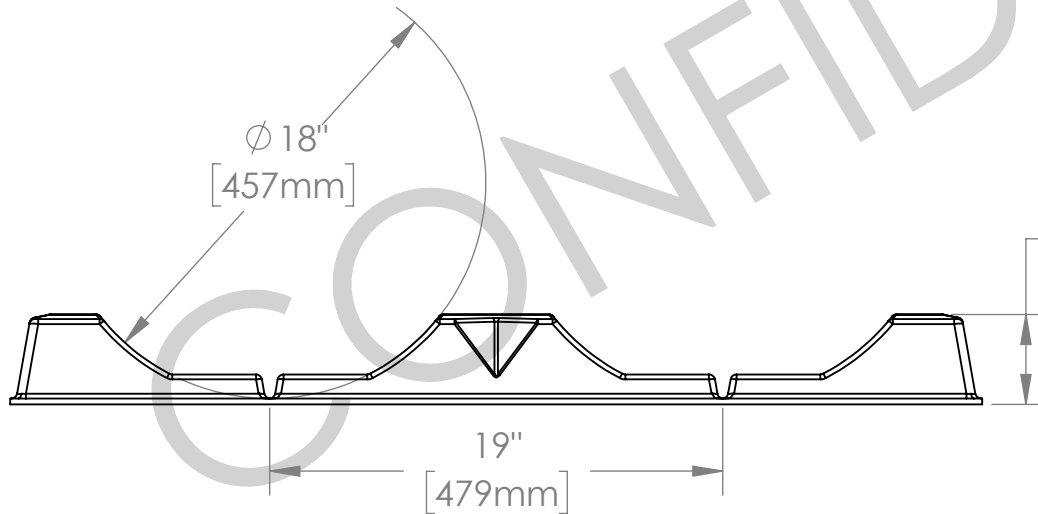
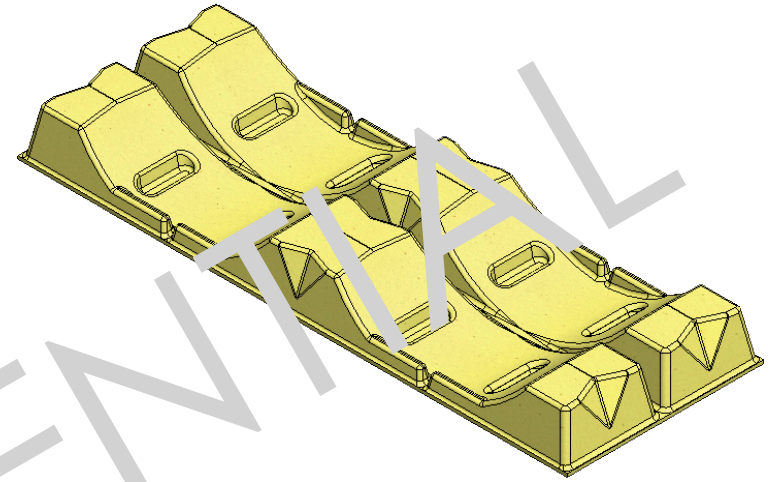


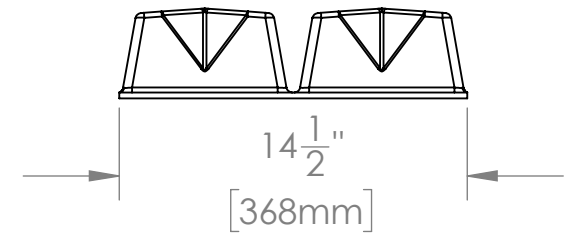
40 $\frac{1}{2}$ "
[1028mm]



Ø 18"
[457mm]

3 $\frac{3}{4}$ "
[95mm]

19"
[479mm]



14 $\frac{1}{2}$ "
[368mm]

PROPRIETARY AND CONFIDENTIAL

THE INFORMATION CONTAINED IN THIS DRAWING IS THE SOLE PROPERTY OF Henry Molded Products, Inc. ANY REPRODUCTION IN PART OR AS A WHOLE WITHOUT THE WRITTEN PERMISSION OF Henry Molded Products, Inc. IS PROHIBITED.

Henry 
MOLDED PRODUCTS INC

DESCRIPTION:

18" Stacker

MODEL:

6018L