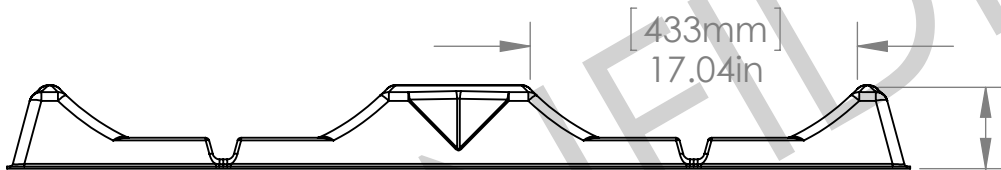
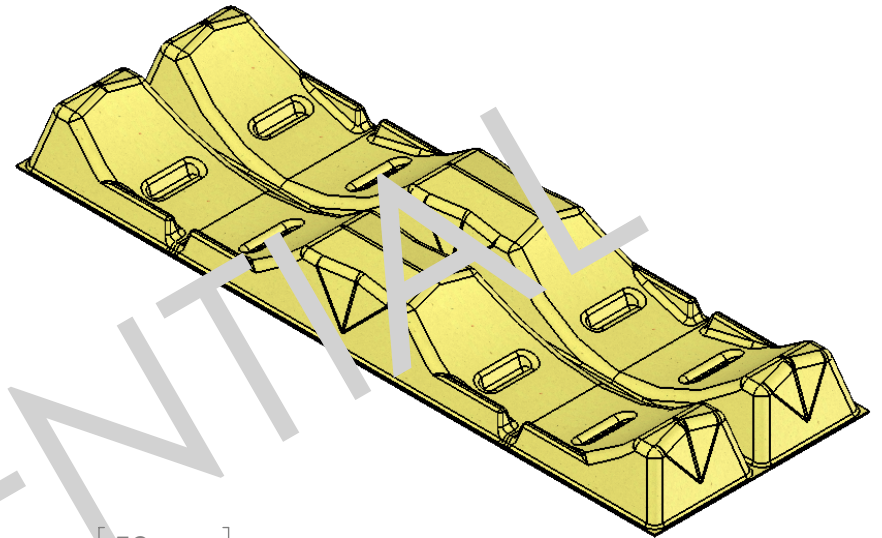


[1195mm]
47.04in

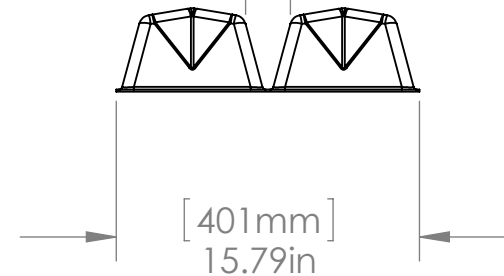


[433mm]
17.04in

[108mm]
4.23in



[59mm]
2.34in



[401mm]
15.79in

PROPRIETARY AND CONFIDENTIAL

THE INFORMATION CONTAINED IN THIS DRAWING IS THE SOLE PROPERTY OF Henry Molded Products, Inc. ANY REPRODUCTION IN PART OR AS A WHOLE WITHOUT THE WRITTEN PERMISSION OF Henry Molded Products, Inc. IS PROHIBITED.

Henry 
MOLDED PRODUCTS INC

DESCRIPTION:

24" Stacker

MODEL:

6024HL