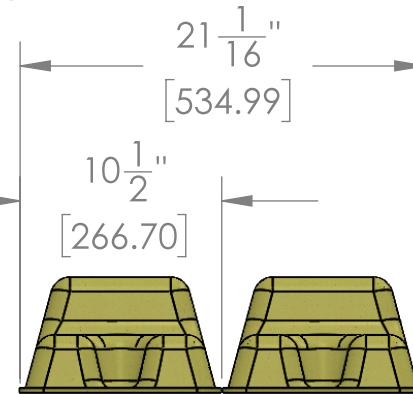
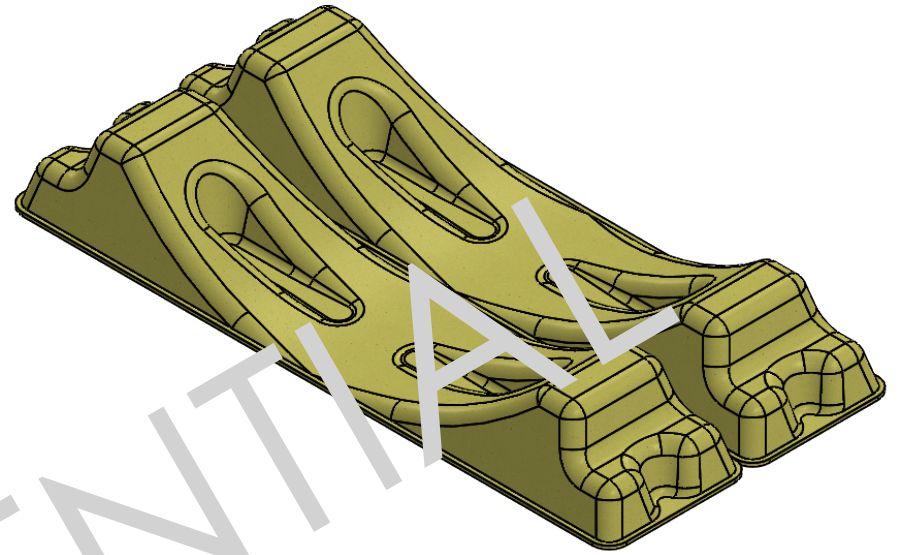


44 $\frac{1}{2}$ "
[1130.30]



R22 $\frac{1}{2}$ "
[571.50]



PROPRIETARY AND CONFIDENTIAL

THE INFORMATION CONTAINED IN THIS DRAWING IS THE SOLE PROPERTY OF Henry Molded Products, Inc. ANY REPRODUCTION IN PART OR AS A WHOLE WITHOUT THE WRITTEN PERMISSION OF Henry Molded Products, Inc. IS PROHIBITED.

Henry 
MOLDED PRODUCTS INC

TITLE: Henry Molded Products
6045 Stacker

DWG. NO. **6045**